

PRINTED CIRCUIT BOARD ASSEMBLY BA283AM AND BA283AMA

Circuit Diagram EX10283

General Description

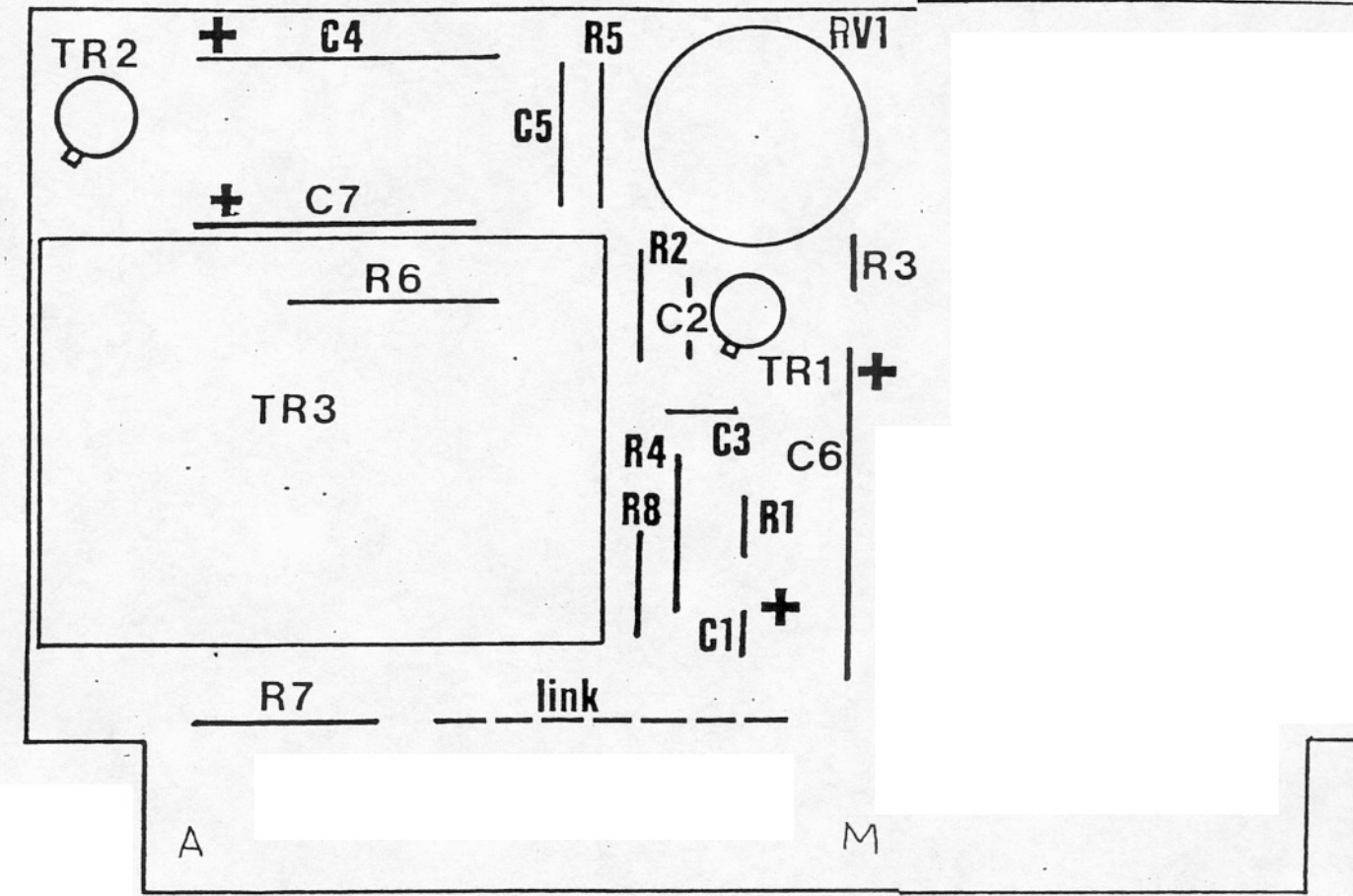
Fixed a.c. feedback is applied via C4 from the collector circuit of the d.c. connected pair TR2, TR3 to the emitter of TR1.

The potentiometer RV1 is for adjusting the d.c. bias of TR1.

The gain of the amplifier is determined by the connection of externally mounted components (a resistor R in series with an electrolytic capacitor C) between contacts K and J. These components shunt the emitter load of TR1, thereby, increasing the gain. See table for gain variation in 5 dB steps from 15 dB to 35dB. An unbalanced, low source impedance output taken via C7 to the common collectors of TR2 and TR3 is available at contact F.

Gain dB Balanced	15	20	25	30	35
Gain dB Unbalanced	11	16	21	26	31
Value of R Ω	-	1K2	470	220	110
Value of C μ F	-	80	80	80	80

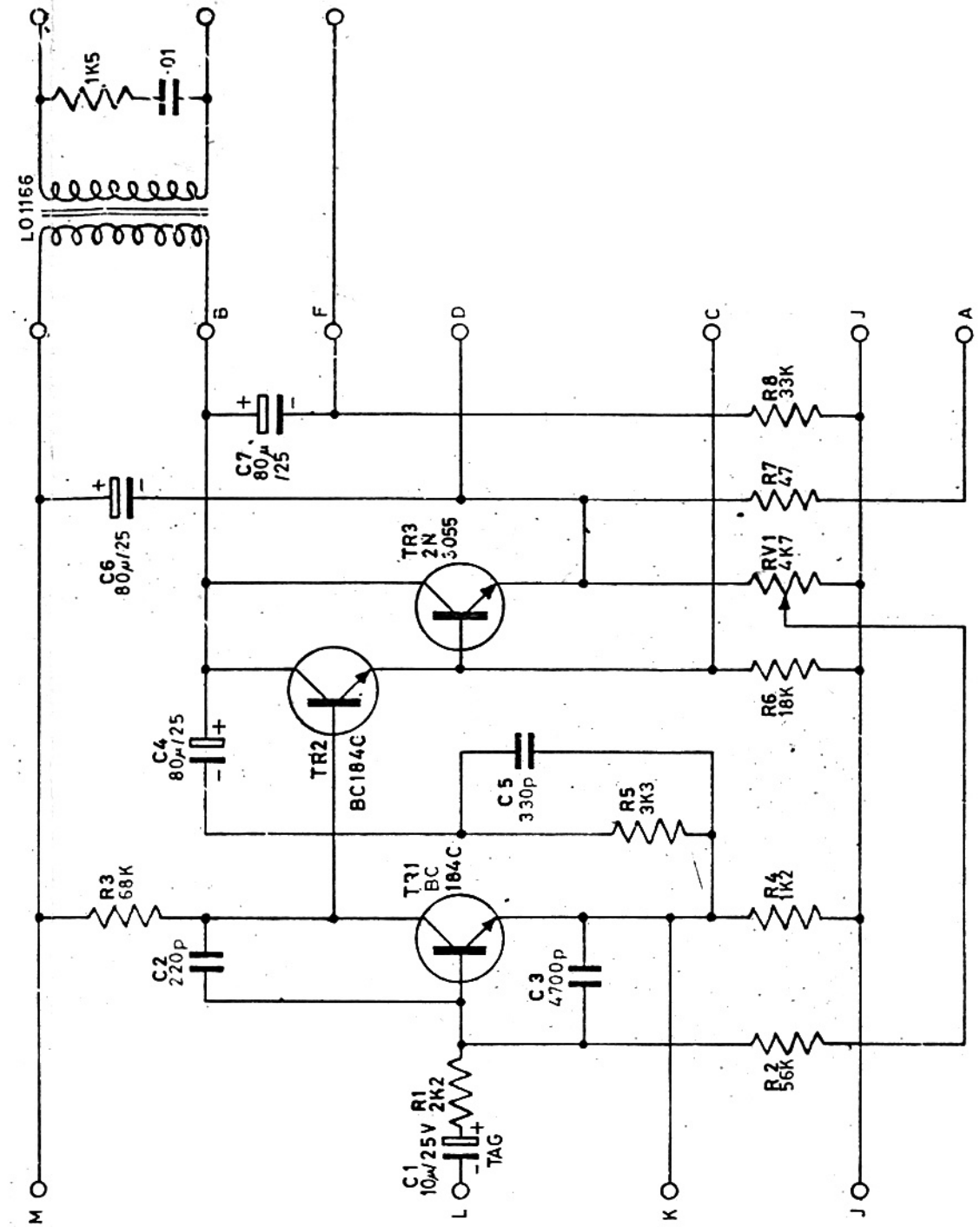
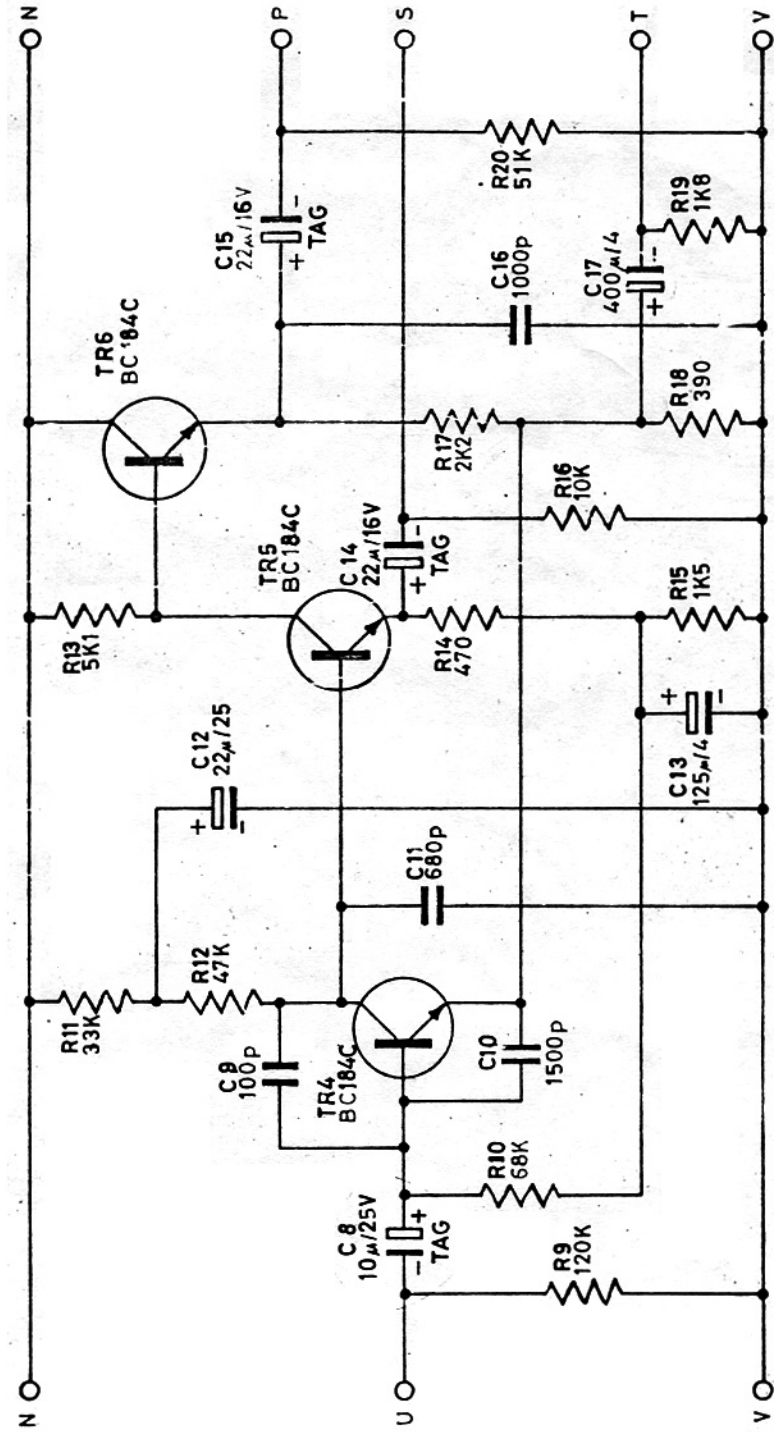
When the loading on the secondary of the output transformer is increased, the extra current required from TR3 is provided by linking contacts J and A externally, thereby connecting the 47 ohm resistor R7 in parallel with the potentiometer RV1. Where the d.c connected pair TR2, TR3 are operated at higher current, provision is made for TR3 to be mounted on an external heat sink. The printed circuit board assembly is then known as BA283AMA.



PARTS LIST BA283AM & BA283AMA

Ref	Description	Part No.
R1	2K2 TR4 \pm 2%	RA002K2
R2	56K " "	RA056K0
R3	68K " "	RA068K0
R4	1K2 " "	RA001K2
R5	3K3 " "	RA003K3
R6	18K " "	RA018K0
R7	47 TR6 "	RFO47R0
R8	33K TR4 "	RA033K0
RV1	Potentiometer, preset 4K7	PT13200
C1	10 μ F, 25V TAG	CA60100
C2	220 pF	CA12200
C3	4700 pF	CA20040
C4	100 μ F, 25V	CA61002
C5	330 pF	CA13300
C6,7	100 μ F, 25V	CA16002
TR1,2	BC184C	TR16401
*TR3	2N3055	TR16000
	Printed Circuit Board Assembly	EV10283

*On BA283 AMA, TR3 is mounted remote



D 23-11-72
10547



The Neve Group of Companies

TITLE BA283 AM & AV

This drawing is the property of this company and may not be reproduced or disclosed to a third party without the permission of this company.

C	15/11/72	10565	DATE	15/11/71	CN 10,361
B	7/6/72	10518	DRAWING	EX/10 283	
A	8-3-72	10473	NUMBER		